

SINGER
240/2404

LIST OF PARTS SUPPLEMENT

Model 2404

*same as
240*

by **SINGER***

*see in conjunction
with 240*

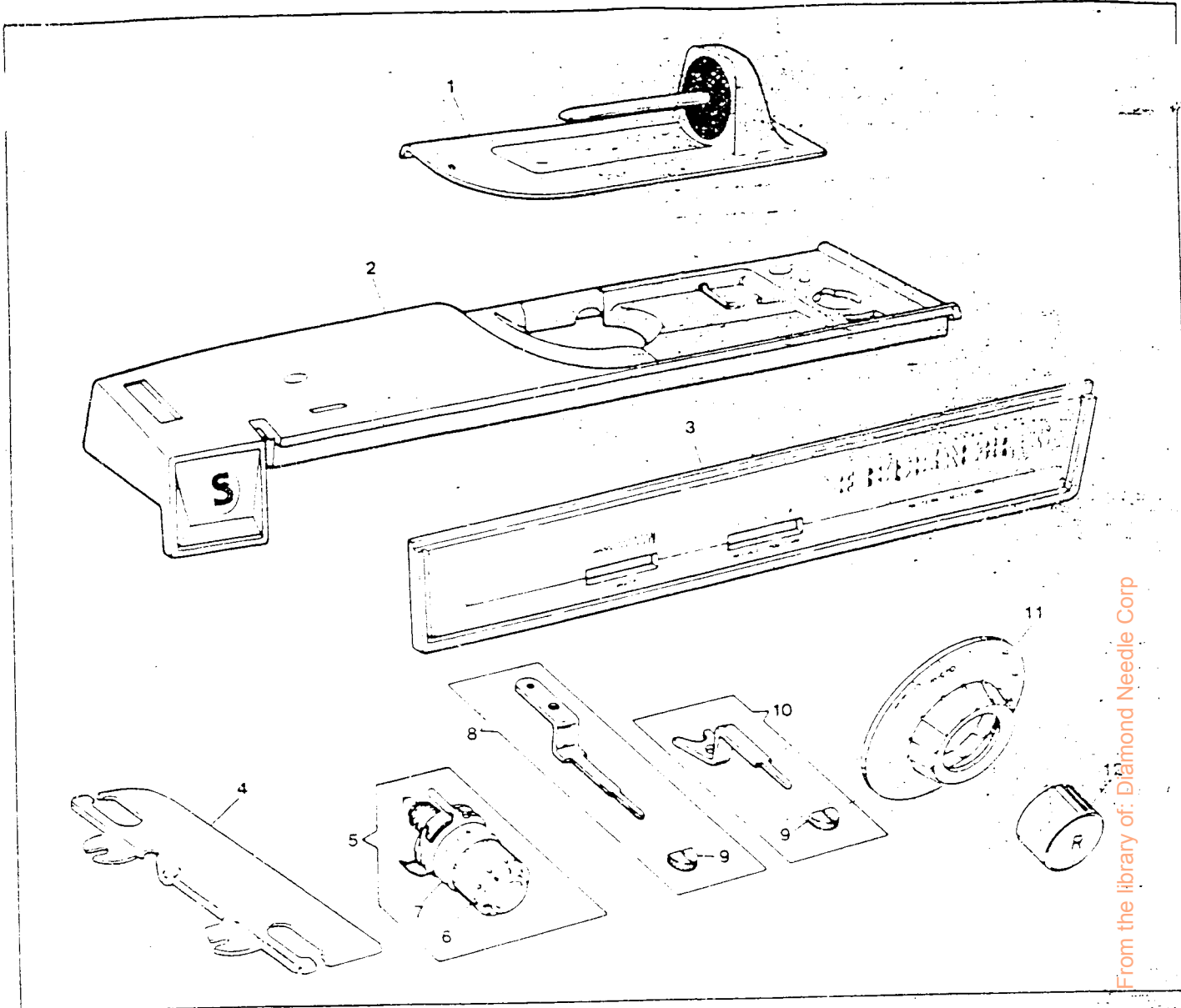
This list of parts is to be used in conjunction with the list of parts for the 240 series machines. It contains only those parts unique to the model 2404. Refer to the list of parts for the 240 series machines for all other parts.

go to page 4 - →

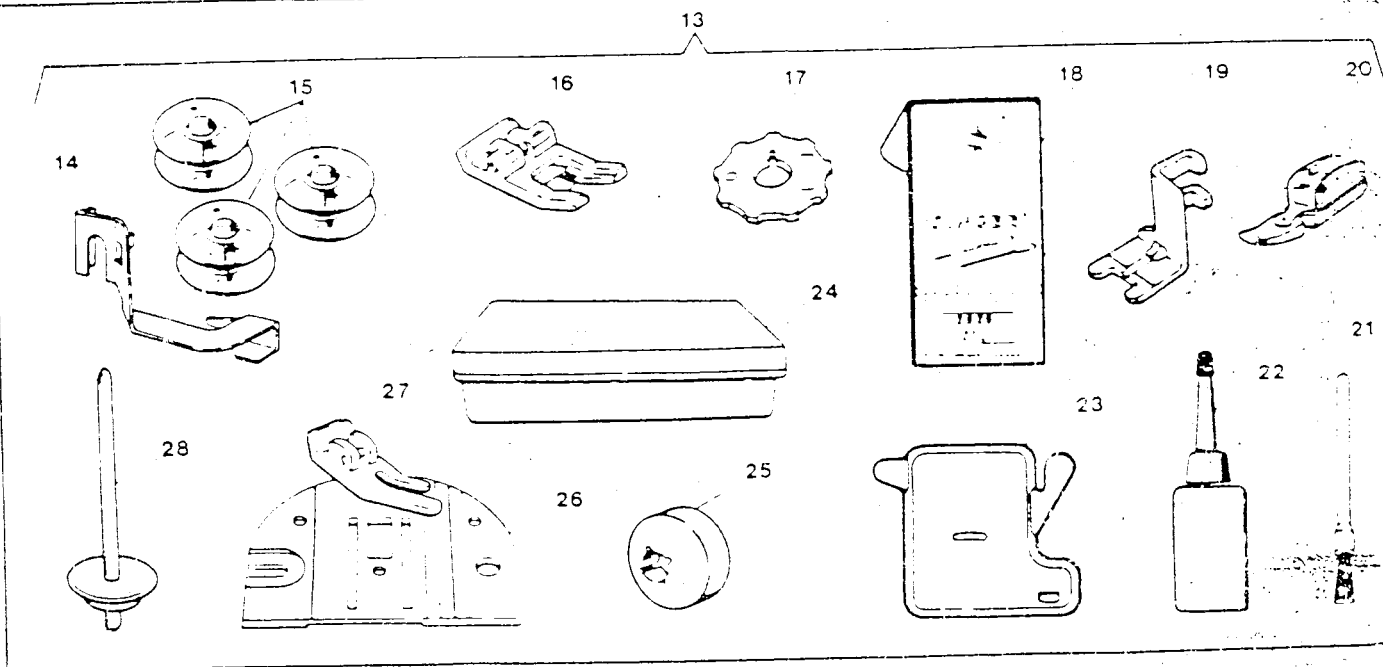


A Publication of Product Support
International Group Engineering

Part No. 119694-001

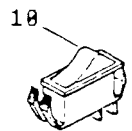
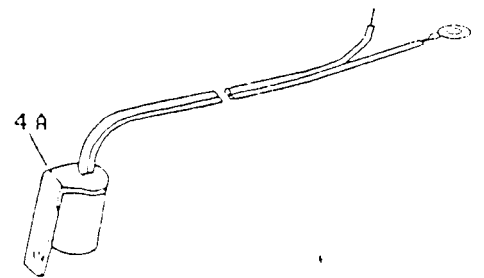
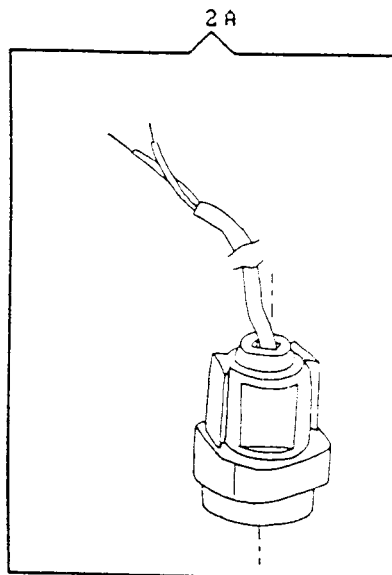
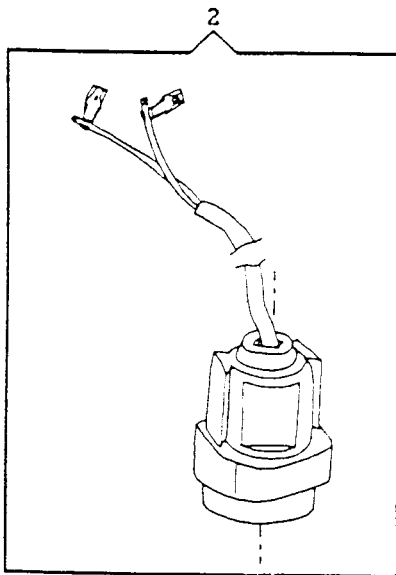
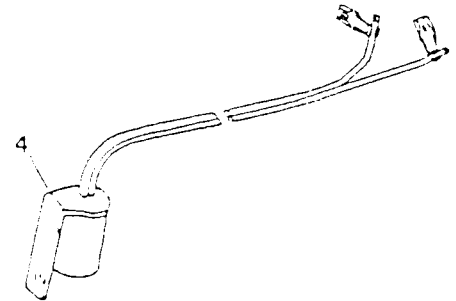
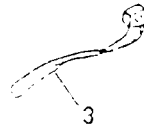
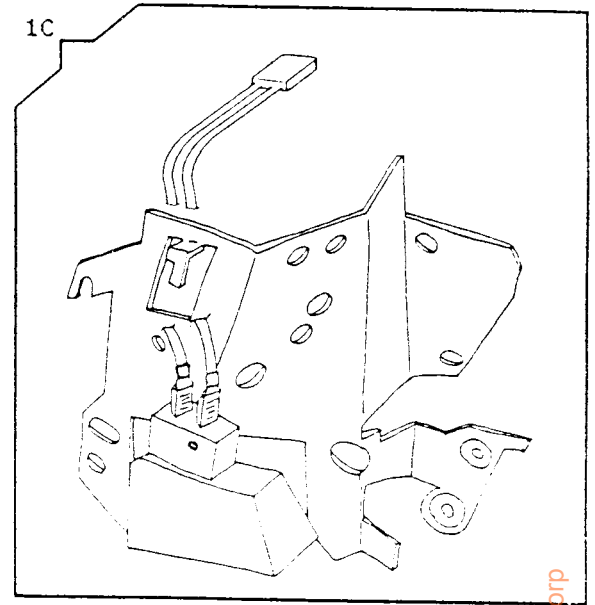
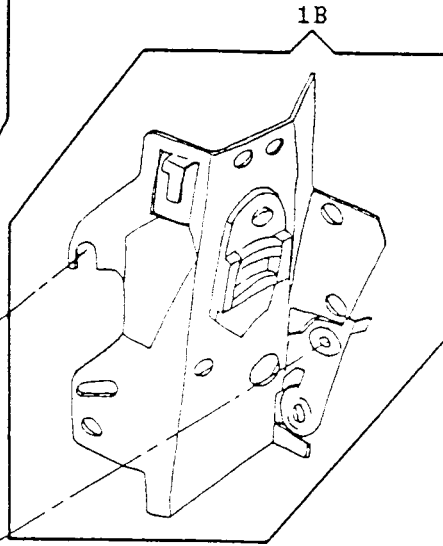
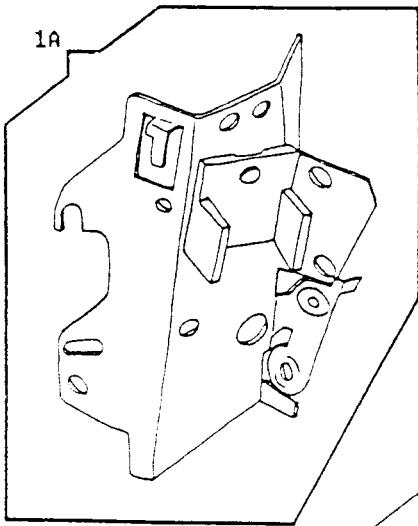


From the library of: Diamond Needle Corp



REF	P/N	DESCRIPTION	
1	353505-451	Arm top cover lid (complete)	
2	353506-451	Arm top cover (complete)	
3	353503-451	Control panel	
4	446263-451	Bed extension plate	
5	446323-478	Tension complete	
6	445054-031	Tension indicator	
7	44879-479	Tension spring cup	
8	445586-457	Bight amplitude control lever	
9	445585-909	Bight amplitude control lever knob	
10	445589-457	Needle position selector lever	
11	445035-464	Feed regulator control dial complete	
12	353507-451	Feed regulator positioning pin knob	
13	353508	Attachment set complete	
14	381213	Blind stitch guide	
15	172336	Bobbin (plastic)	
16	171498	Special purpose presser foot plate (snap-on)	
17	276302	Disc No. 2 Multiple ZZ-stitch	
17	276304	Disc No. 4 Scallop stitch	NLA } 276302 disc 1-6
17	276305	Disc No. 5 Arrowhead stitch	NLA }
17	276306	Disc No. 6 Domino stitch	NLA } (276305)
17	276307	Disc No. 7 Shell Edge stitch	
17	276309	Disc No. 9 Icicle stitch	} 276401 disc 7-16
17	276310	Disc No. 10 Banner stitch	
17	276311	Disc No. 11 Key stitch	
17	276312	Disc No. 12 Walls Off Troy stitch	} 276402 disc 11-14
17	276313	Disc No. 13 Solid Diamond stitch	
17	276314 *	Disc No. 14 Zig Zag Points stitch	
17	276315	Disc No. 15 Long Oblique stitch	
17	276316	Disc No. 16 Shingle stitch	} 276403 disc 15-18
17	276317	Disc No. 17 Pennant stitch	
17	276318	Disc No. 18 Three Step stitch	
17	276319	Disc No. 19 Ball stitch	} 276404 disc 19-22
17	276320	Disc No. 20 Curved Mending stitch	
17	276322	Disc No. 22 Semaphore stitch	
17	276323	Disc No. 23 Solid Pyramid stitch	
17	276325	Disc No. 25 Spiny stitch	NLA } 276405 disc 23-24
17	276326	Disc No. 26 Block stitch	
17	276327	Disc No. 27 Fagoting stitch	
17	276328	Disc No. 28 Comb stitch	} 276406
17	276329	Disc No. 29 Pavillion stitch	
17	276330	Disc No. 30 Platform stitch	
17	276337	Disc No. 37 Alpine (Elastic stretch)	
17	171340	Disc No. 350 Invisible stitch	BLIND STITCH
17	171341	Disc No. 351 Crescent stitch	
17	171342	Disc No. 352 Solid Scallop stitch	
18	381058	Three needles pack size 11, 14, 16	
18	381341	Needle pack w/needles 2028, 2045	
19	179911	Presser foot for button sewing	
20	507836	Presser foot (snap-on) complete for cordina slide fasteners	
21	501750	Lint brush	
22	444884	Container of oil complete	
23	381495	Feed cover plate (raised)	
24	381285-452	Accessory box complete	
25	597664-457	Arm top cover lid spool pin thread lead off (small)	
26	44985	Needle plate for straight stitching	
27	153267	Presser foot plate for straight stitch	
28	444813-454	Spool pin for two needle sewing	

From the library of: Diamond Needle Corp



From the library of: Diamond Needle Corp